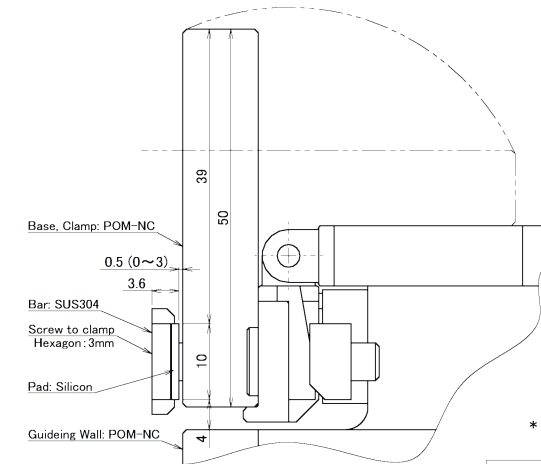
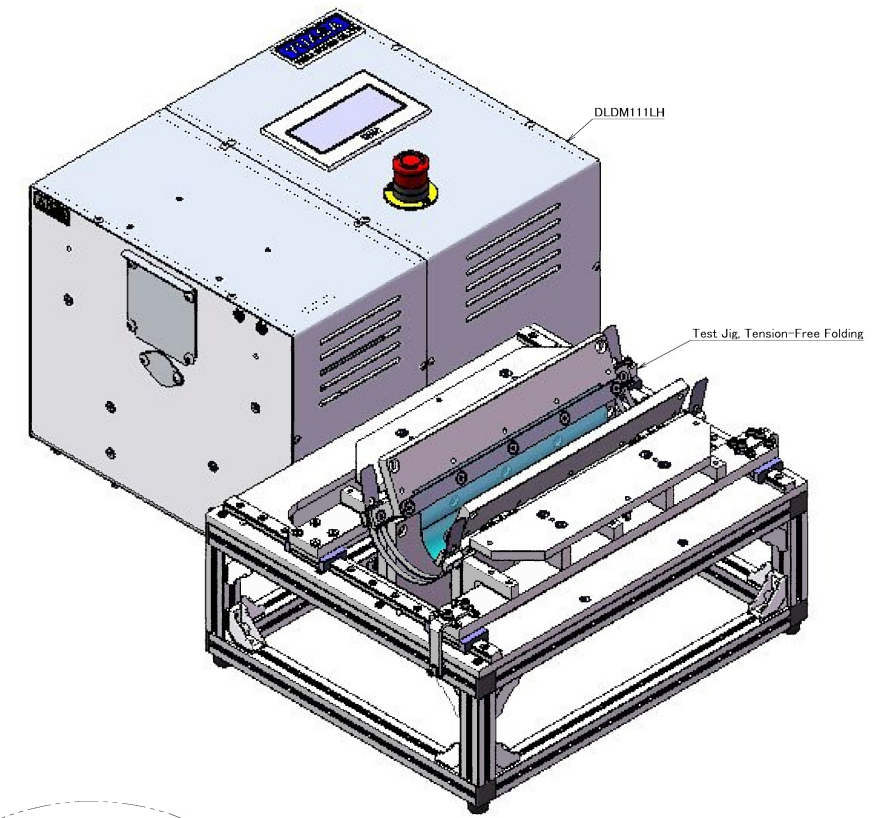
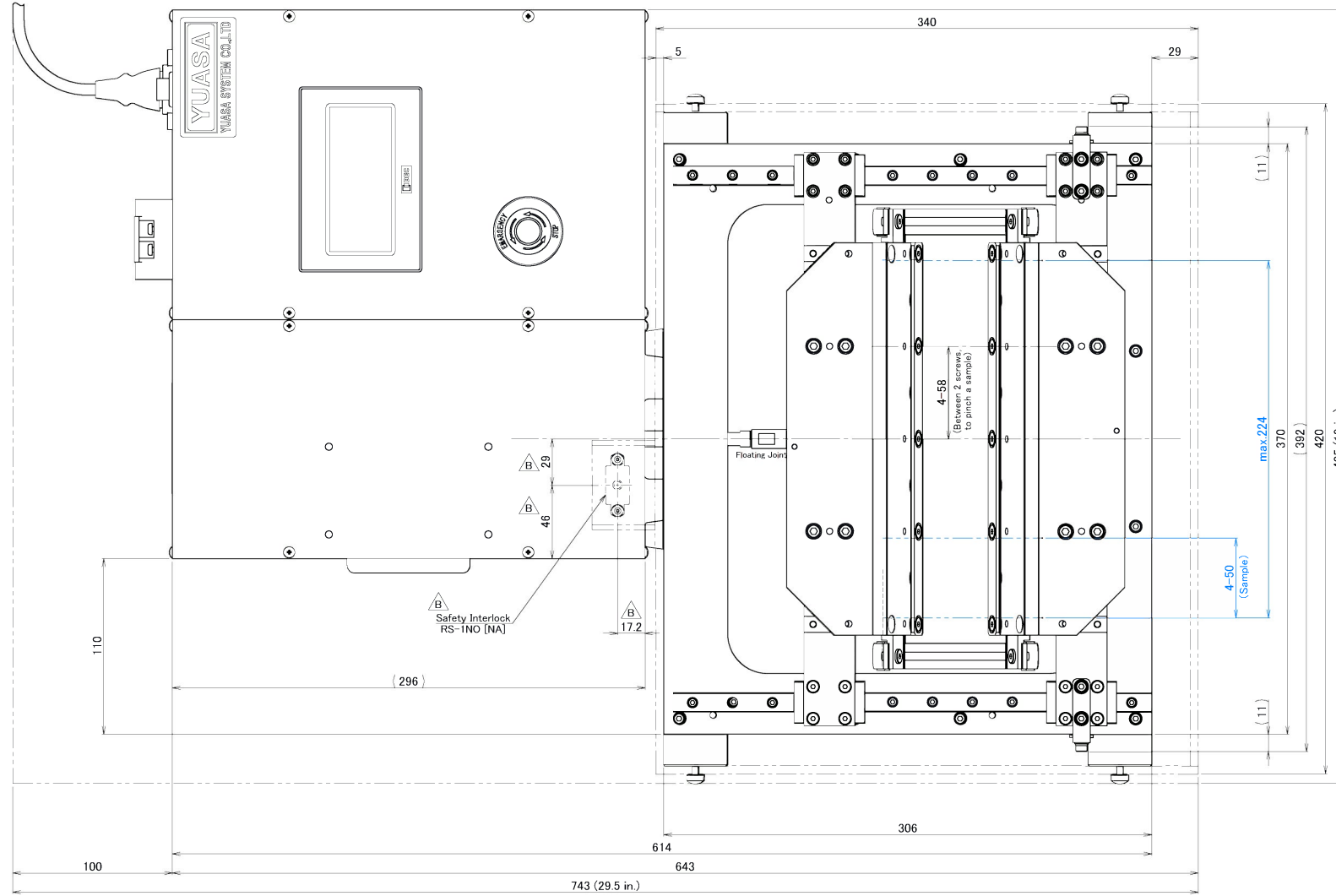
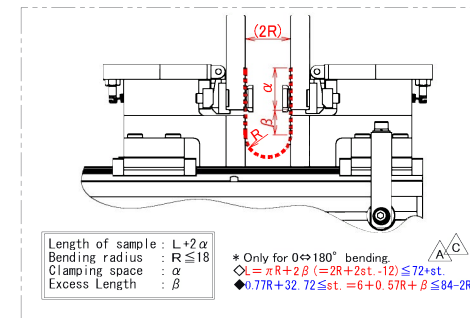
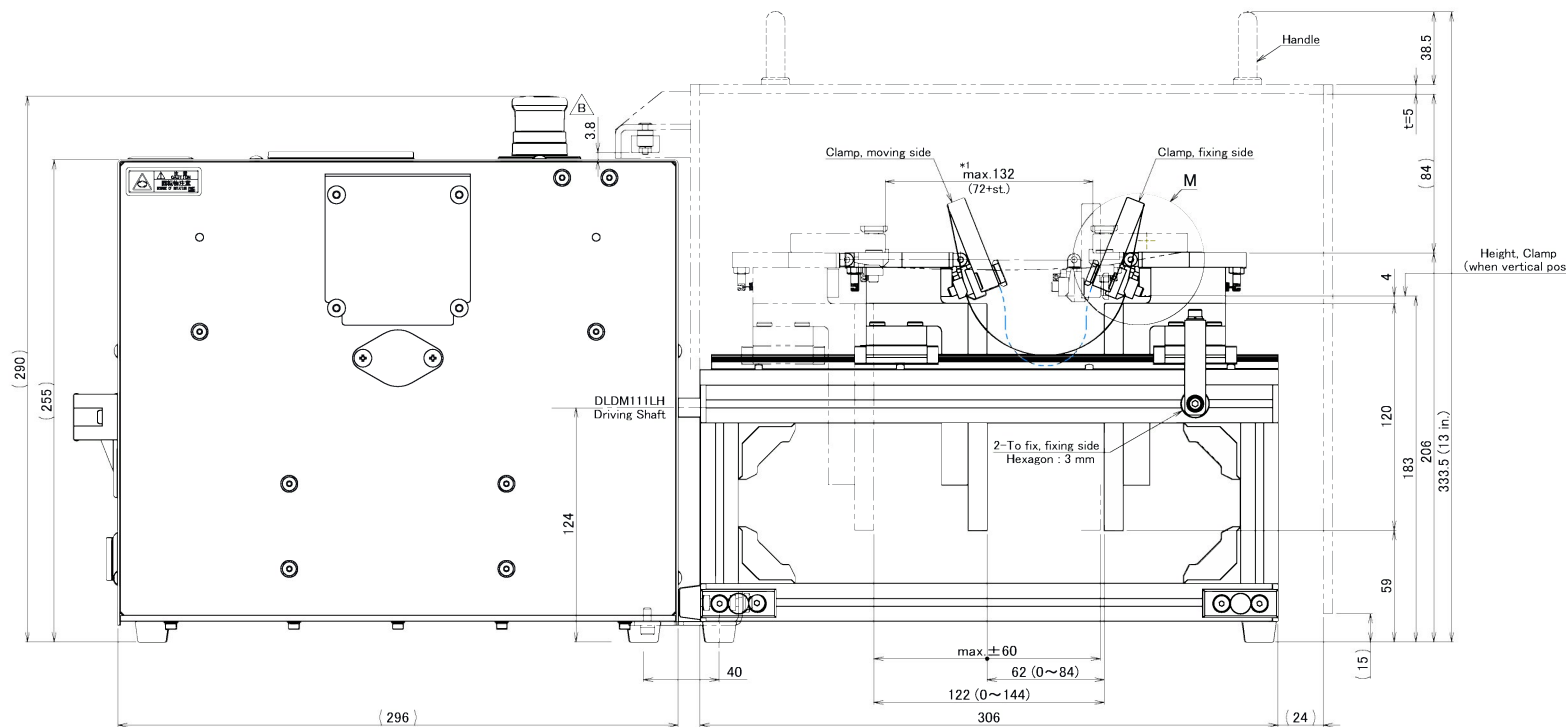


改訂 REV.	注記 REVISION	担当者 BY	日付 DATE
A	Edited Formulas.	N. Ando	Oct. 25, 2016
B	Changed Cover and interlock.	A. M	Nov. 10, 2016
C	Edited Formulas. Changed Specification (Bending Radius).	N. Ando	Jan. 14, 2017



DETAIL of M  
SCALE 1:1  
(Same : Moving side/Fixing side)

\* Units of weights and measures shall be expressed in terms of the metric system ( kg & mm )



OVER VIEW	<ul style="list-style-type: none"> <li>Testing components bend samples (←→U) with Tilt Clamps.</li> <li>Testing system control the folding motion with Tilt Controller (plate spring). It will not place tensile stress on the sample, the sample will change naturally.</li> <li>Keep Tilt Clamps horizontally when conduct "stretching test (←→)".</li> <li>Keep Tilt Clamps vertically when conduct "variable radius folding test (U←→U)".</li> </ul>
SPECIFICATION of TEST CONDITION	<ul style="list-style-type: none"> <li>Target : Sheet or Linear samples</li> <li>Sample thickness : max. 3 mm</li> <li>Sample width : max. 224 mm</li> <li>Sample length : min. 56+(Clamping space) mm                             <ul style="list-style-type: none"> <li>* only for 0&lt;math&gt;\leq 180^\circ&lt;/math&gt; bending</li> </ul> </li> <li>Bending angle : 0~180° (by test condition below)</li> <li>Bending radius : 0~18 mm (distance between Guiding Walls below.)                             <ul style="list-style-type: none"> <li>* only for 0&lt;math&gt;\leq 180^\circ&lt;/math&gt; bending.</li> </ul> </li> <li>Distance between guiding walls                             <ul style="list-style-type: none"> <li>0~144 mm (between moving side (rear-end) and fixing side)</li> <li>* Distance Tilt Clamps (horizontally) is 132 mm when distance between guiding walls become 144 mm. (*1, left-hand figure)</li> <li>* Set samples on Tilt Clamps with adhesive tape (without clamp bar) when screws interfere it. (Distance between Guiding Walls less than "10+Sample thickness×2 mm")</li> </ul> </li> <li>Operating Stroke : 0~±60 mm</li> <li>Operating Speed : 10~90 r/min</li> <li>Electric Insulation : Samples are insulated from Test Jig (exclude bars and screws).</li> </ul> <p>* In addition, refer to an attached sheet for the detail of DLDM111LH.</p>
INSTALLATION ENVIRONMENT	Temp. : +5~+40°C (41~104°F) Humi. : 15~85%Rh (No Condensation)
MASS	<ul style="list-style-type: none"> <li>Testing Machine : about 17.0 kg (37.5 lb)</li> <li>Test Jig : about 7.5 kg (16.5 lb)</li> <li>Cover, Test jig : about 4.0 kg (8.5 lb)</li> </ul>
NOTE	<ul style="list-style-type: none"> <li>* Tool to set up is only hexagon bar wrench (3 mm)</li> </ul>

- ◇Standard Components and Accessories
- E1254A002-005 : Test Jig, Tension-Free Folding
  - E1136A001-004 : Floating Joint
  - E1209A004-001 : Joint Bracket
  - E1500A003-027 : Cover, Test Jig

材質 MATERIAL	質量 MASS	第3角法 THIRD ANGLE PROJECTION	尺 度 SCALE	TITLE
On the margin			1:2	名 Desktop Model Endurance Testing Machine DLDM111LH
表面処理 SURFACE PROCESSING	作成日付 DATE	承認 APPROVED	検 図 CHECKED	番 Test Jig, Tension-Free Folding
熱処理 HEAT TREATMENT		設計 DESIGNED		番 E1254S002-005